

UNIVERSAL TWU1.5

Technical Sheet

Tweeter

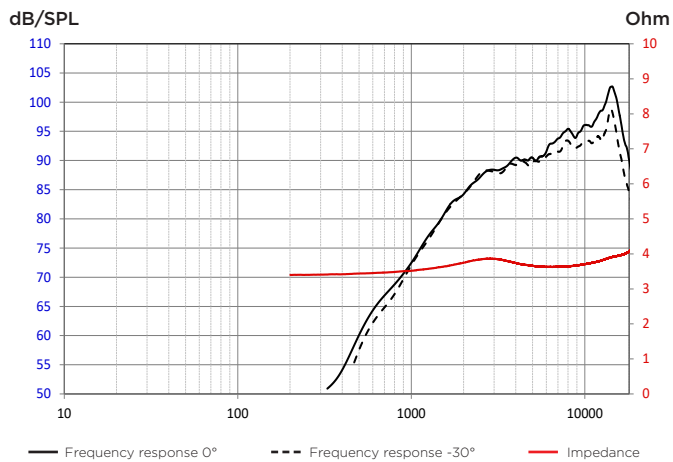


- Al/Mg inverted dome, clean and extended high frequencies
- Poron® suspension, low Fs and power handling
- "Acoustic transparent" protection grille
- 4 different mounting possibilities:
 - Flush mounting
 - Surface mounting
 - Factory location
 - Oriented support

SPECIFICATIONS

Nominal power	15W RMS	
Maximum power	100W	
Sensitivity (2,83V/1m)	94dB	
Frequency response	4kHz-21kHz	
Surround type	Poron®	
Nom. impedance	4Ω	
VC diameter	20mm	0.8"
Net weight	40g	0.09lbs
Dome	Al/Mg	

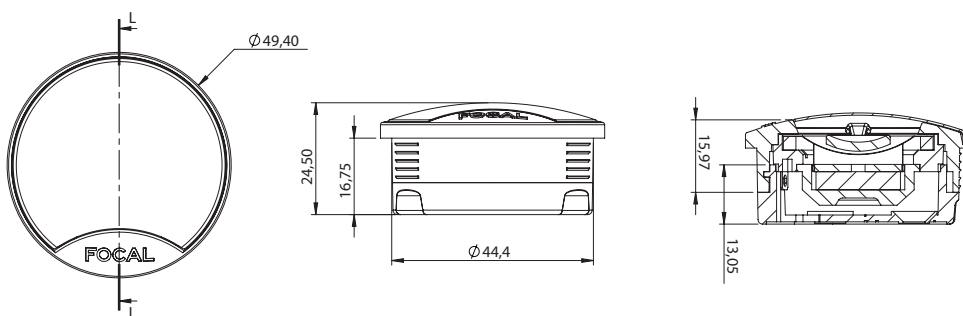
FREQUENCY RESPONSE/IMPEDANCE



PARAMETERS

Fs	2.6kHz
Re	3.4Ω

MECHANICAL DRAWING



Integration
INSTANT GRATIFICATION

Focal is a trademark of Focal-JMLab®. Tel. (33) 04 77 43 57 00 - www.focal.com - Images may not conform exactly to specific product.
Photos L'Atelier Sylvain Madelon-SCAA-170907/2

FOCAL®
LISTEN BEYOND